



IWAKI  
CHEMICAL  
GEAR PUMPS

**GM-V**



# Highly Corrosion-Resistant Sealless Gear Pump

Iwaki's Chemical Gear Pump GM-V is an internal gear pump made of highly corrosion-resistant materials. During pump operation, liquid does not come into contact with any of the pump's metallic parts. A magnet drive mechanism ensures that no liquid solution leaks from the pump. Thus, the GM-V safely handles most corrosive liquid chemicals, including acids and alkalis. Since the GM-V is pulsation-free and features precise discharge output, this pump is ideally suited to metering injection without pulsation.

## Sealless, highly corrosion-resistant design

All pump components in contact with the liquid are made of PVC, silicon carbide and fluorine resin, all of which are resistant to most acids and alkalis. The pump uses no seals, which eliminates the risk of leaks.

## High-durability ceramic gears

The GM-V's ceramic gears are highly resistant to abrasion, galling and seizure, ensuring reliable high-speed operation.

## Pulsation-free and precise discharge control

The GM-V causes no pulsation of liquid in high-speed operation. Discharge is proportional to the pump's rpm speed, which can be precisely controlled

by an inverter (frequency converter), thereby allowing liquid metering, transfer and other treatments.

## Low flow rate, high discharge head and self-priming

The GM-V's low flow rate and high head specification make it suitable for many chemical-injection processes. Self-priming up to 1 meter in height is possible.

Note : Self-priming height varies depending on the liquid's properties and temperature as well as the piping configuration. Please contact your distributor for details on self-priming applications.

## Lightweight and compact

The GM-V's pump is close coupled to its motor, eliminating the need for intermediate coupling and making the assembly both lightweight and compact. The GM-V's space-saving design makes it suitable for built-in pump systems.



GM-25V Flange type

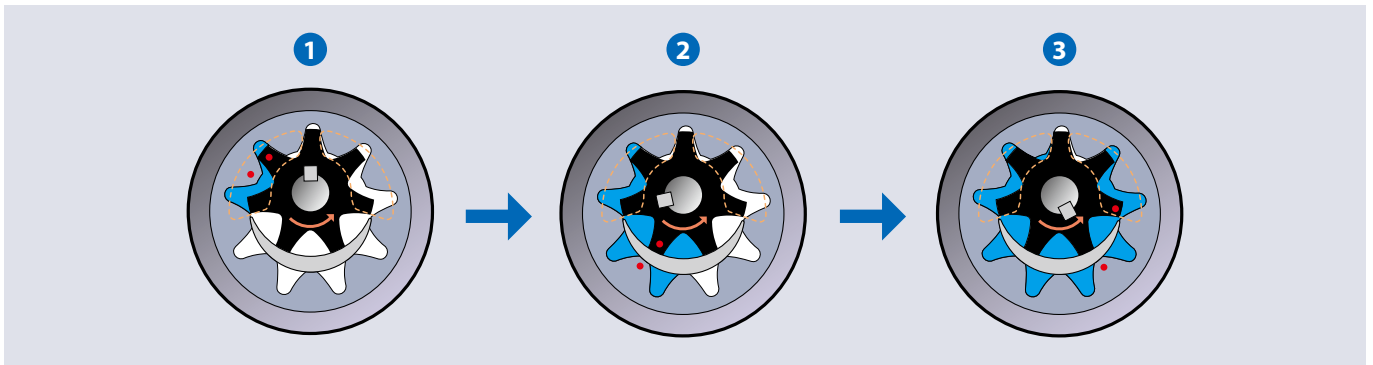


### Operating principle

A pinion (drive gear) coupled with a shaft supported by two bearings meshes with an internal gear (driven gear) whose periphery is supported by a strong bearing. Liquid is transferred by a change in the capacity of this meshed portion. In the suction process, the gears are disengaged and a space defined by the two gears and the casing expands. The liquid is drawn into the space by the negative pressure generated. In the discharge process, their teeth begin to mesh and space defined by the two gears and the casing is reduced to force out the liquid.

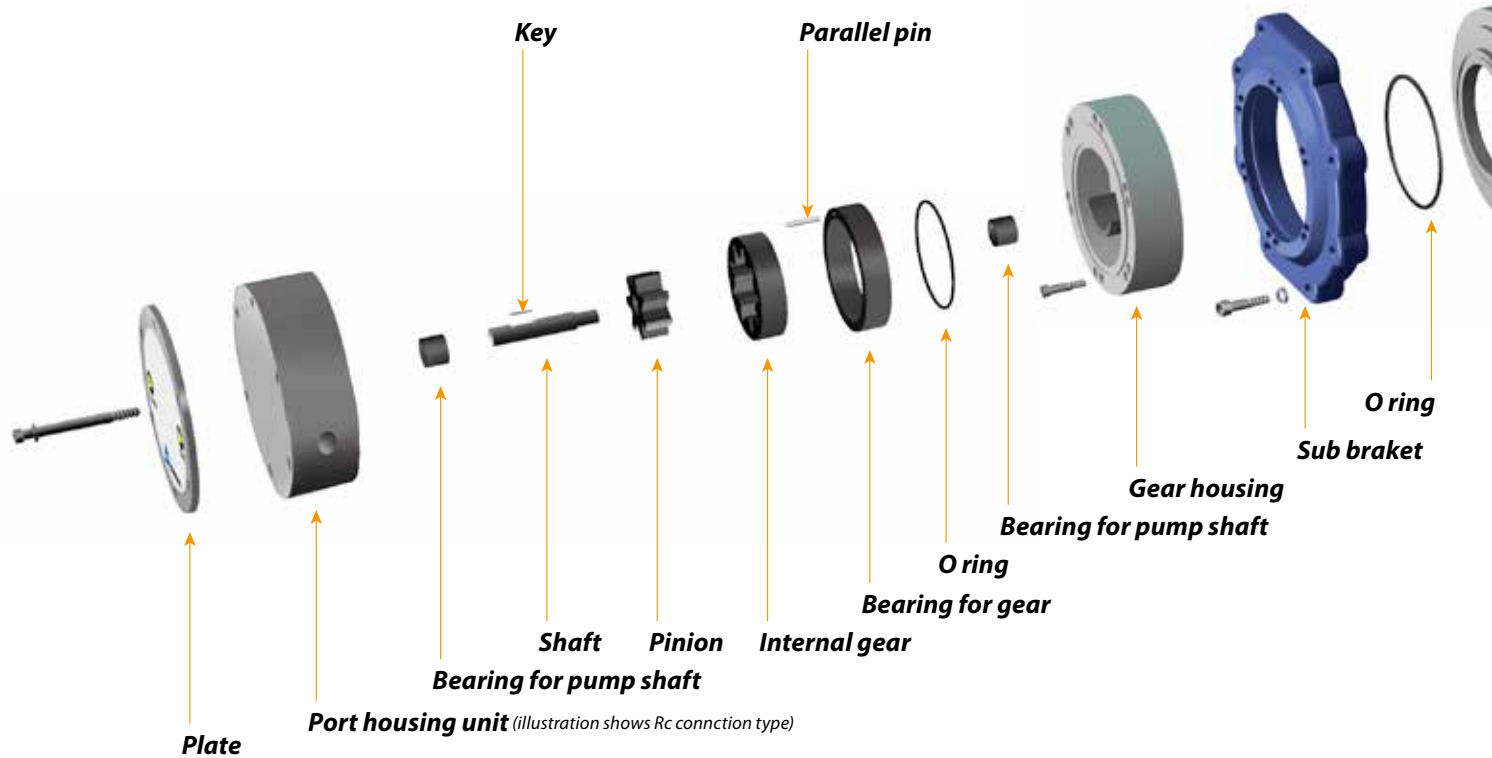
### GM-V is useful in the following cases

- **Low flow rate and high pressure applications with chemical solutions**  
Automatic injection of coagulant at a constant mixing ratio.
- **Pulsation-free metering, injection and transfer of chemical solutions**  
Metering of paper-making dye and sodium hypochlorite.
- **Easy control of process factors such as flow rate and pressure**  
Low-cost, reliable control of rpm levels.
- **No need for pulsation dampener or accumulator**  
Simple piping without pulsation is possible.
- **Bypass piping using a large-flow rate centrifugal pump**  
No losses due to bypassing.
- **Excellent corrosion resistance against acids and alkalis**  
Unlike general-purpose gear pumps, the GM-V's metallic components never come into contact with liquids and are acid and alkali resistant.
- **Designed to make diaphragms unnecessary**  
GM-V pumps do not employ any seals or diaphragms.
- **Self-priming**  
Self-priming up to 1 meter in height (when wet) is possible.



GM-25V Rc connection type  
(IEC Motor Model)

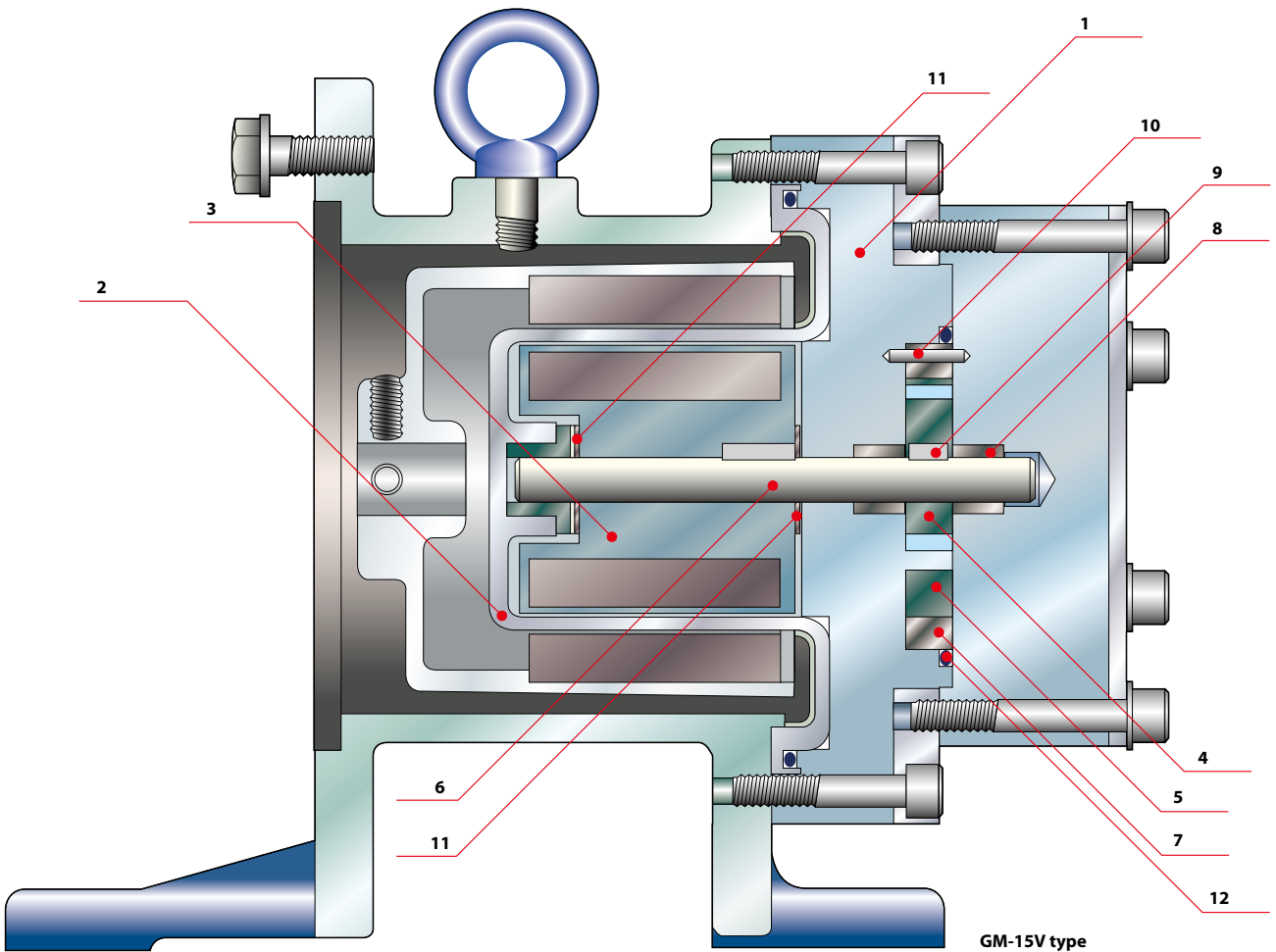
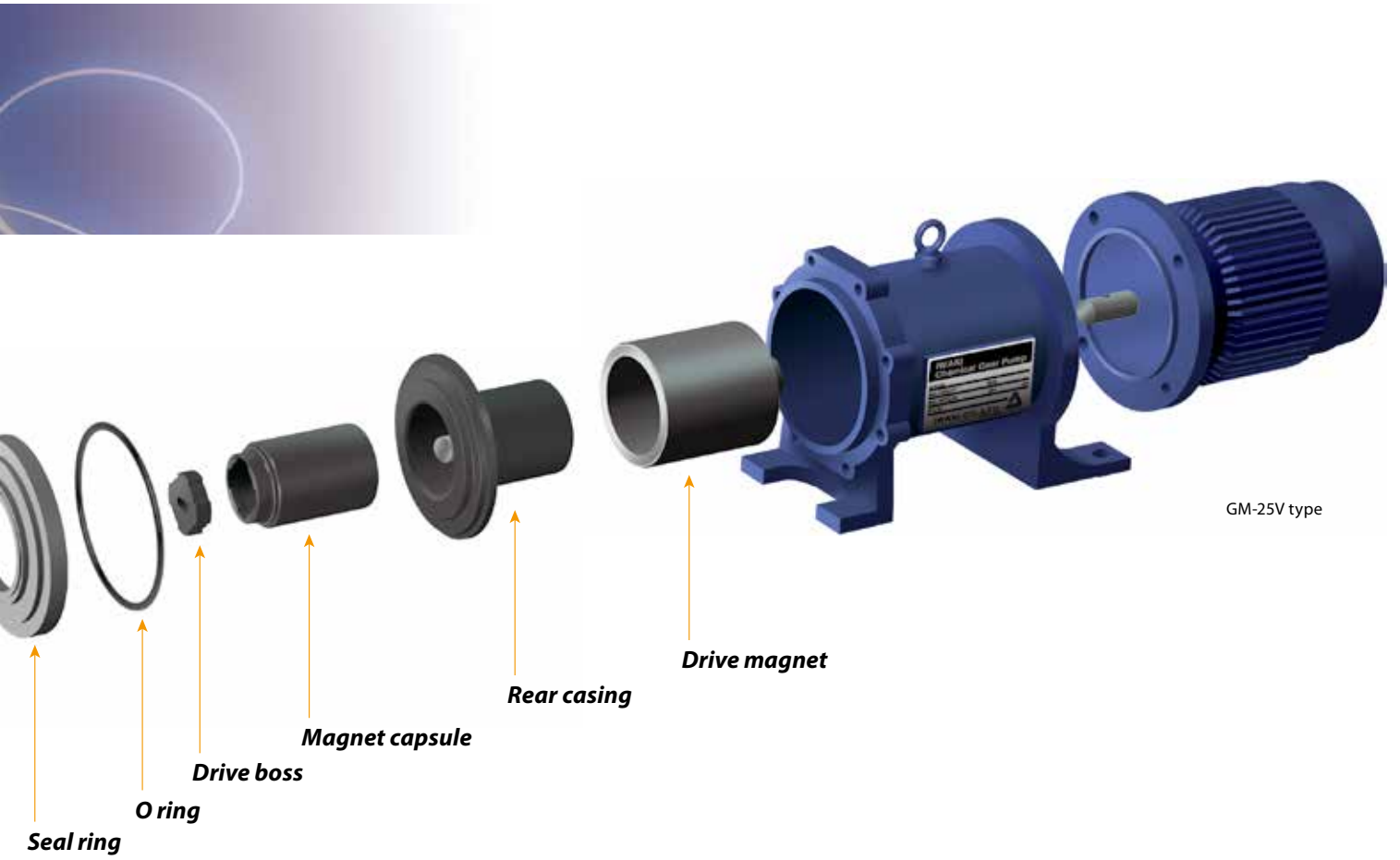
# Highly reliable drive mechanisms



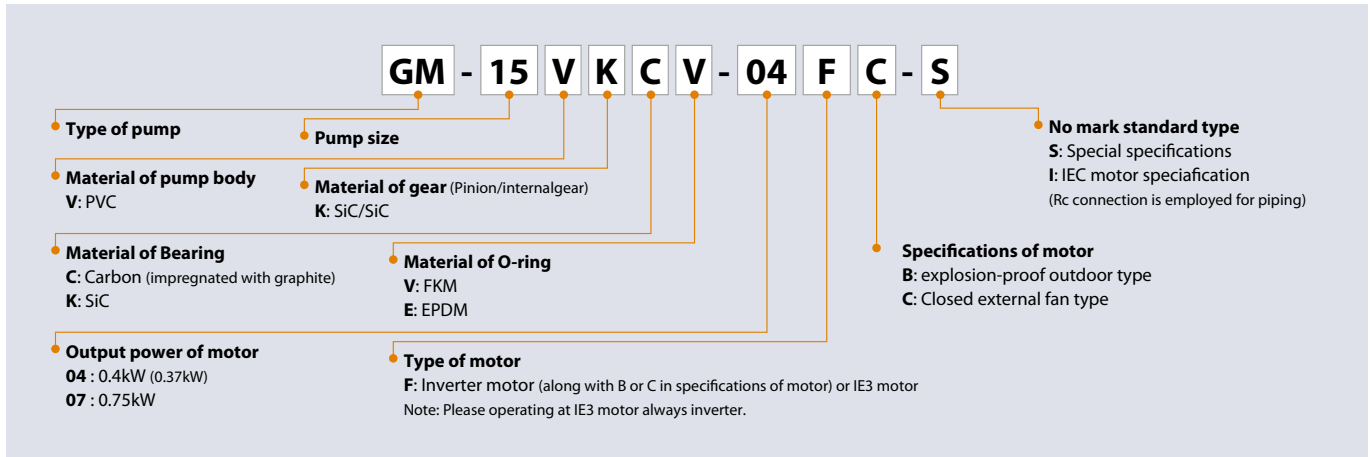
## Wet end materials

Parts	GM-15V	GM-25V
1 Housing (Pump body)	PVC	
2 Rear casing	CFRETFE	
3 Magnet capsule	PVC	CFRETFE
4 Pinion	SiC	
5 Internal gear	SiC	
6 Shaft	Si3N4(Silicon nitride)	
7 Bearing for gear	SiC or Carbon	
8 Bearing for pump shaft	SiC or Carbon	
9 Key	PVC	
10 Parallel pin	Alumina ceramic	
11 Spacer(GM-15V type)	Fluorine resin with filler	—
12 O-ring	FKM or EPDM	
Spindle(GM-25V type)	—	Alumina ceramic or SiC

Note : CFR stands for Carbon Fiber Reinforce.



# Pump identification



# Specifications

Models	Discharge per revolution mL/rev	Max. Capacity L/min	Max. Speed rpm	Max. Discharge pressure MPa	Connections	Motor kW
		60Hz	60Hz			
<b>GM-15V</b>	3.3	5.9	1,800	0.5	JIS10K 15A or Rc 3/8	0.4(0.37)
<b>GM-25V</b>	12.8	23.0	1,800	0.5	JIS10K 20A or Rc 3/4	0.75

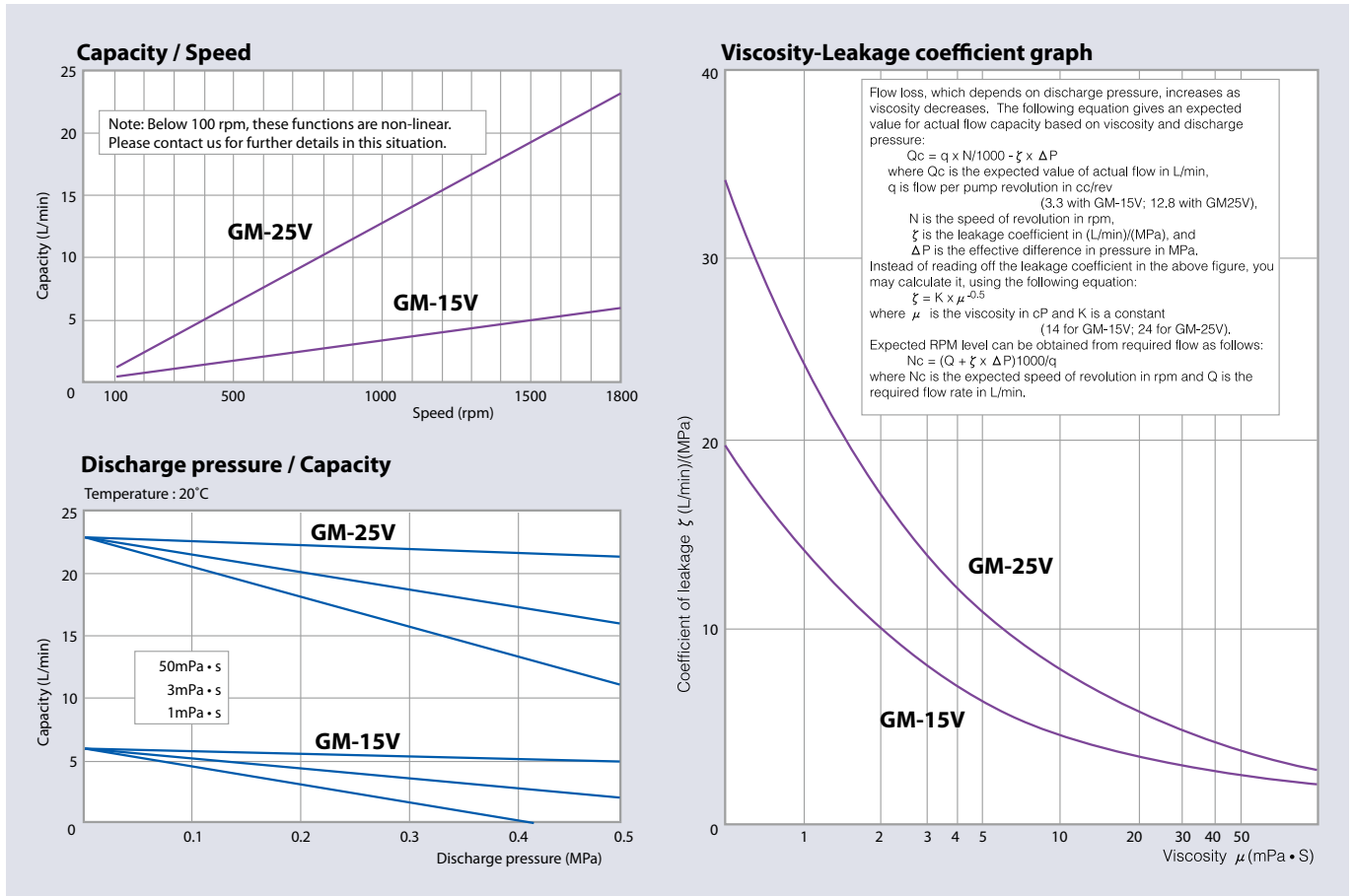
Conditions of liquid to be handled : Temperature = 0°C -50°C / Viscosity = 0.5-50 mPa · S / No slurry can be handled  
 Maximum capacity is achieved at lowest pressure.  
 For a GM-15V to handle a liquid with viscosity of 3 mPa · S or less,  
 the maximum capacity is as follows : 0.28 MPa at 60 Hz for viscosity between 0.5 and 1 mPa · S  
 0.35 MPa at 60 Hz for viscosity between 1 and 3 mPa · S

# Standard pumps

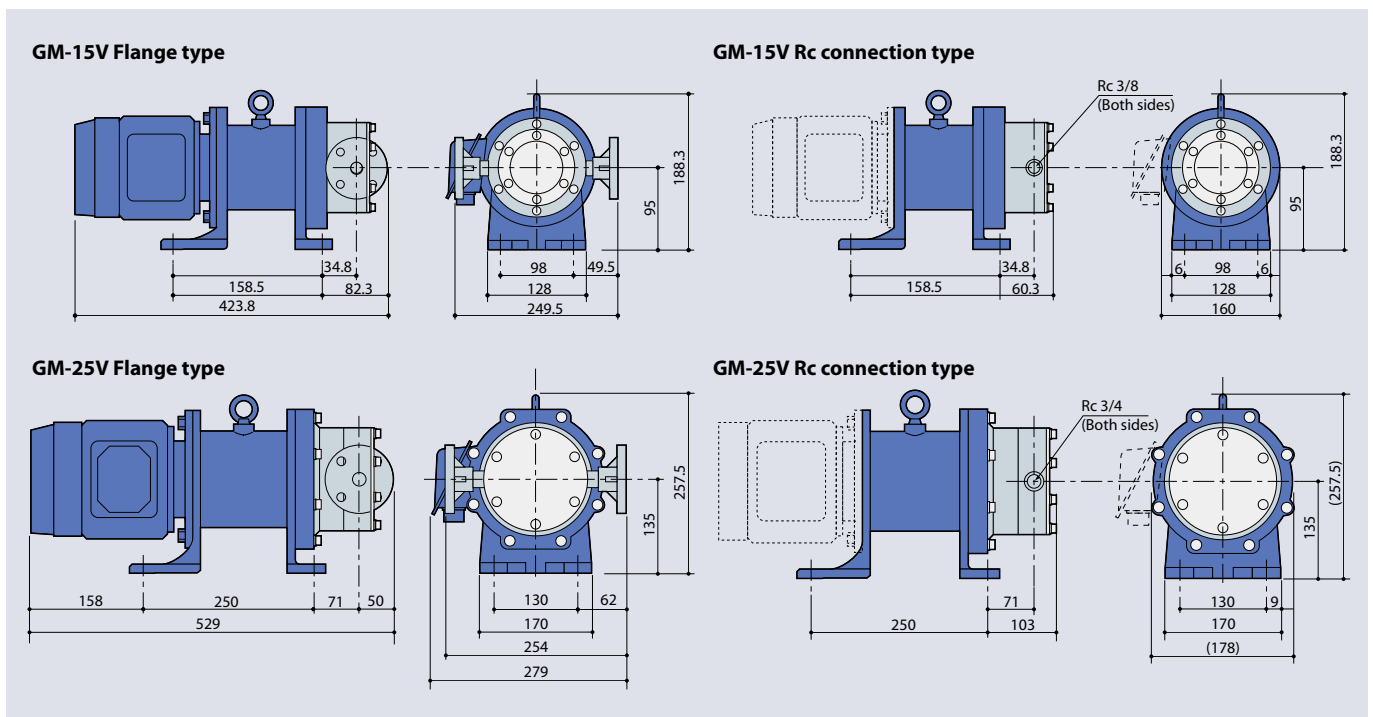
Models	Inverter frequency Hz	Speed rpm	Viscosity mPa · S	Capacity L/min					
				Discharge pressure MPa					
				0	0.1	0.2	0.3	0.4	0.5
<b>GM-15VK</b> □□-04F □	6 to 60	180 to 1800	0.5	0.6 to 5.9	0 to 3.9	0.05 to 1.9	—	—	—
			1		0 to 4.5	0.05 to 3.1	0.05 to 1.7	0.05 to 0.3	—
			3		0 to 5.1	0.05 to 4.3	0.05 to 3.5	0.05 to 2.7	0.05 to 1.9
			50		0.4 to 5.7	0.2 to 5.5	0.05 to 5.3	0.05 to 5.1	0.05 to 4.9
<b>GM-25VK</b> □□-07F □	6 to 60	180 to 1800	0.5	2.3 to 23.0	0.1 to 19.6	0.1 to 16.2	0.1 to 12.8	0.1 to 9.4	0.1 to 6.0
			1		0.1 to 20.6	0.1 to 18.2	0.1 to 15.8	0.1 to 13.4	0.1 to 11.0
			3		0.9 to 21.6	0.1 to 20.2	0.1 to 18.8	0.1 to 17.4	0.1 to 16.0
			50		2.0 to 22.7	1.7 to 22.3	1.3 to 22.0	1.0 to 21.6	0.6 to 21.3

- The flow-rate values given in the above table are for a liquid temperature of 20°C.
- Flow rate varies with liquid temperature. For more details, please ask us.
- To protect pump install strainer and safety valve. 100 mesh strainer is recommended.
- Provided the pump is primed no minimum flow requirement.

### Performance curves



### Dimensions in mm



Note: The dimensions may differ with the type of motor installed.



# Fine ceramic have led to exciting innovations.

The Iwaki G series chemical pump is the first internal gear pump designed for chemical process applications, in which gears of fine ceramic (SiC and Silicon nitride) are used. Without detracting from any of the advantages of conventional internal gear pumps abrasion resistance, chemical resistance, low-viscosity characteristics and sealing characteristics have been remarkably improved. In addition to the gland packing/mechanical seal type (Model GX), magnetic drive sealless type (Model GM) are available as standard products for an expanded range of uses. The G series is an advanced gear pump, capable of dealing with a wide range of industrial processes which continue to increase in sophistication.



## Specifications

- Max. discharge capacity : 35.2/42.5 L/min
- Max. discharge pressure : 1.0 MPa(GX type)/0.7MPa(GM type)
- Main materials : SiC/SUS316
- Liquid temp. range : 0 to 150°C(GX type)/0 to 80°C(GM type)
- Viscous liquid : 0.5 to 10000mPa · S(GX type)

**IWAKI CO., LTD.** 6-6 Kanda-Sudacho 2-chome Chiyoda-ku Tokyo 101-8558 Japan TEL : (81)3 3254 2935 FAX : 3 3252 8892 IWAKI has global net work. Please find your distributor location at [www.iwakipumps.jp](http://www.iwakipumps.jp)

European office : IWAKI Europe GmbH	TEL: (49)2154 9254 0	FAX: 2154 9254 48	U.S.A. : IWAKI America Inc.	TEL: (1)508 429 1440	FAX: 508 429 1386
Germany : IWAKI Europe GmbH	TEL: (49)2154 9254 50	FAX: 2154 9254 55	Argentina : IWAKI America Inc. (Argentina Branch)	TEL: (54)11 4745 4116	
Holland : IWAKI Europe GmbH (Netherlands Branch)	TEL: (31)74 2420011	FAX: (49)2154 925448	Singapore : IWAKI Singapore Pte Ltd.	TEL: (65)6316 2028	FAX: 6316 3221
Italy : IWAKI Europe GmbH (Italy Branch)	TEL: (39)0444 371115	FAX: 0444 335350	Indonesia : IWAKI Singapore (Indonesia Branch)	TEL: (62)21 6906606	FAX: 21 6906612
Spain : IWAKI Europe GmbH (Spain Branch)	TEL: (34)93 37 70 198	FAX: 93 47 40 991	Malaysia : IWAKIm Sdn. Bhd.	TEL: (60)3 7803 8807	FAX: 3 7803 4800
Belgium : IWAKI Belgium N.V.	TEL: (32)13 67 02 00	FAX: 13 67 20 30	Australia : IWAKI Pumps Australia Pty Ltd.	TEL: (61)2 9899 2411	FAX: 2 9899 2421
Denmark : IWAKI Nordic A/S	TEL: (45)48 24 2345	FAX: 48 24 2346	Hong Kong : IWAKI Pumps Co., Ltd.	TEL: (852)2607 1168	FAX: 2607 1000
Finland : IWAKI Suomi Oy	TEL: (358)9 2745810	FAX: 9 2742715	China : GFIZ IWAKI Engineering & Trading Co., Ltd.	TEL: (86)20 84350603	FAX: 20 84359181
France : IWAKI France S.A.	TEL: (33)1 69 63 33 70	FAX: 1 64 49 92 73	Korea : IWAKI Pumps (Shanghai) Co., Ltd.	TEL: (86)21 6272 7502	FAX: 21 6272 6929
Norway : IWAKI Norge AS	TEL: (47)23 38 49 00	FAX: 23 38 49 01	Taiwan : IWAKI Korea Co., Ltd.	TEL: (82)2 2630 4800	FAX: 2 2630 4801
Sweden : IWAKI Sverige AB	TEL: (46)8 511 72900	FAX: 8 511 72922	Thailand : IWAKI Pumps Taiwan Co., Ltd.	TEL: (886)2 8227 6900	FAX: 2 8227 6818
U.K. : IWAKI Pumps (UK) Ltd.	TEL: (44)1743 231363	FAX: 1743 366507	Vietnam : IWAKI (Thailand) Co., Ltd.	TEL: (66)2 322 2471	FAX: 2 322 2477
		( ) Country codes		TEL: (84)613 933456	FAX: 613 933399

**Caution for safety use:** Before use of pump, read instruction manual carefully to use the product correctly. Actual pumps may differ from the photos. Specifications and dimensions are subject to change without prior notice. For further details please contact us.

**Legal attention related to export.** Our products and/or parts of products fall in the category of goods contained in control list of international regime for export control. Please be reminded that export license could be required when products are exported due to export control regulations of countries. The posting and copying from this catalogue without permission is not accepted firmly.